

## Lprobe guide

Lprobe name XY-MN

Cantilever type

Tip length

Coating



### Cantilever

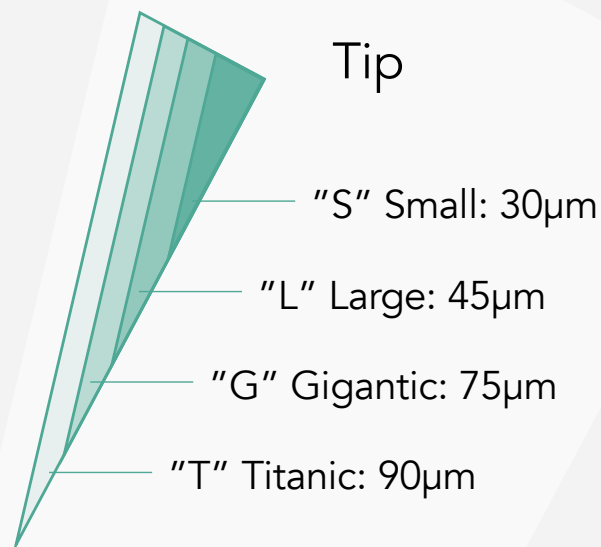
- "D" family: 30-40 N/m
- "C" family: 40-50 N/m

### Coating

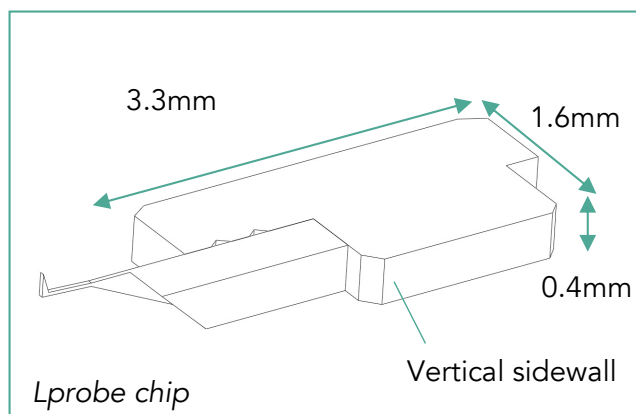
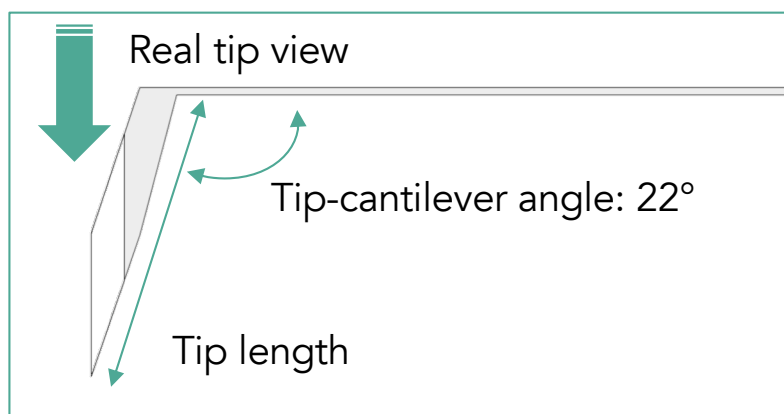
M: tip / N: cantilever top side

If M=N, tip and both sides of cantilever are fully coated

- "S" Silicon (uncoated)
- "A" Aluminum (30nm)
- "G" Chromium / Gold (10+60nm)
- "P" Platinum (25nm)



Common specifications to all Lprobes :



Available coating/cantilever/tip configurations are subject to modification without prior notification